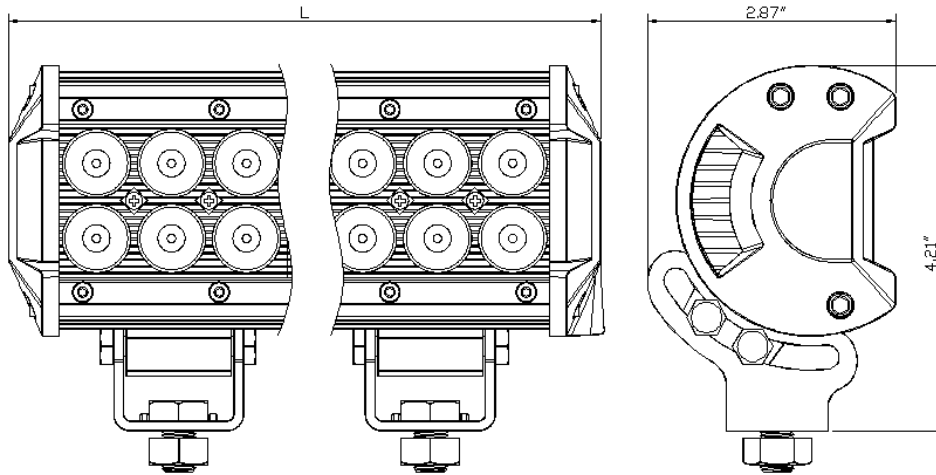




LED WORK LIGHT SERIES INSTRUCTION

Foshan Sammoon Lighting & Electrical Co., Ltd.



Model	Length	LED's	Watts	Amps/12vdc	Amps/24vdc	Lumens
SM-930	3.9"	6	18W	1.125A	0.56A	1260
SM-931	6.57"	12	36W	2.25A	1.125A	2520
SM-932	9.25"	18	54W	3.375A	1.69A	3780
SM-933	12"	24	72W	4.5A	2.25A	5040
SM-934	14.57"	30	90W	5.6A	2.8A	6250
SM-935	17.24"	36	108W	6.75A	3.38A	7560
SM-936	19.9"	42	126W	7.88A	3.94A	8820
SM-937	36 "	78	234W	14.6A	7.3A	16200
SM-938	38.6 "	84	252W	15.2A	7.6A	18200
SM-939	41 "	90	270W	16.2A	8.1A	19500

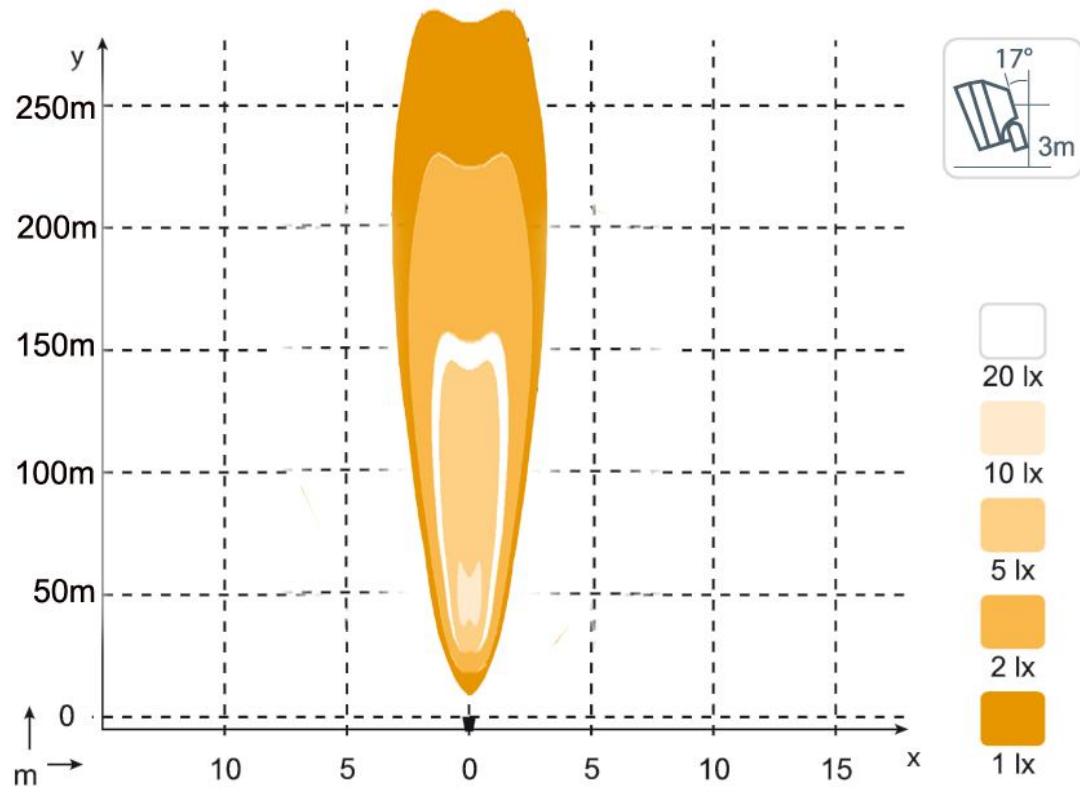
Theoretical Lumens Output: 1800-27000 lm
 Operating Lumens Output: 1260-19500 lm (CREE LED)
 Colour Temperature: 5000k, 6500k
 Nominal Voltage DC: 12/24V
 Input Voltage Range DC: 9-32v
 Power Consumption: 18-270W
 Nominal Current: 1.125-16.2A@12V,0.56-8.1A@24V

Electronics: Integrated
 Connector: Built-In Deutsch
 Mount: Singel Bolt M10
 Shock: 60 G
 Vibration: 15.3G rms 24 -2000Hz
 Lens: PC
 Body: 6063aluminum profile
 IP rating: IP67, IP6K9K, SAE J1455

Operating temperature: - 40°C to + 85°C
Overheat protection (activates at +50°C)

Light Patterns

LED - Wide Flood



Connectors:

